

## SLPO12-100N(LiFePO<sub>4</sub> 12.8V100AH Battery Normal)

### General Information

SLPO series is a LiFePO<sub>4</sub>(lithium iron phosphate)battery pack for backup power application. The battery pack adopts the advanced LiFePO<sub>4</sub> battery technology with the advantages of long cycle life, small size, lightweight, safety and environmental protection, and also has a strong environmental adaptability.

### Application

- § Camper, Caravan and Boat
- § Marine Transport and Fishing
- § Wind Generator and Solar Power Energy Storage



### Key Features

- ※ **Super long cycle life**  
Over 6000 cycles at 80%DOD can be circularly used.
- ※ **Fast charge capability**  
Very fast charging capability up to 50A.
- ※ **Low self discharge**  
<1% per month @ 25°C.
- ※ **Long Life**  
10 years design life at 25°C.
- ※ **Green environmental material**  
Eco-friendly and nonpolluting, no acids or no hazardous and noxious substances (including lead, cadmium, mercury).
- ※ **In compliance with standard**  
UN/NOT 38.3, CE, IEC.
- ※ **High safety & stable performance**  
No explosion and no fire under collision. No risk of leakage.
- ※ **Completely maintenance-free**  
Completely Maintenance-free throughout battery lifetime saves OPEX for the users.
- ※ **Can be used Max 4 in series or Max 4 in parallel**

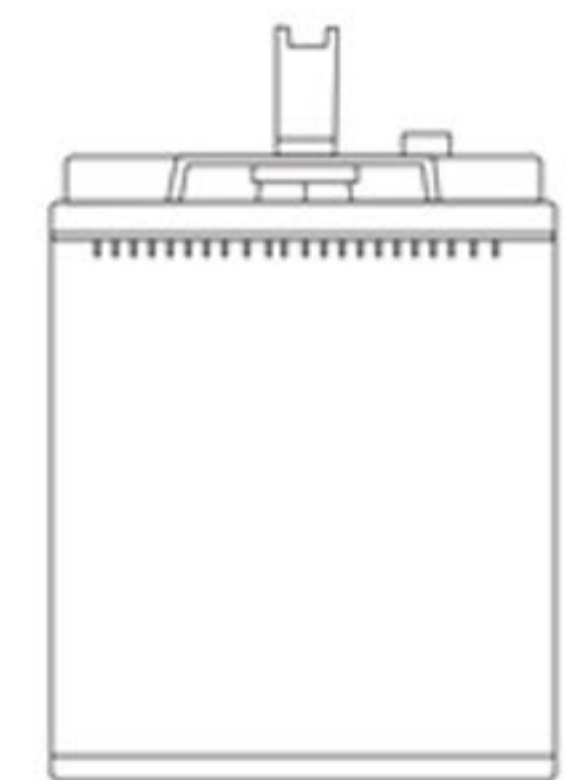
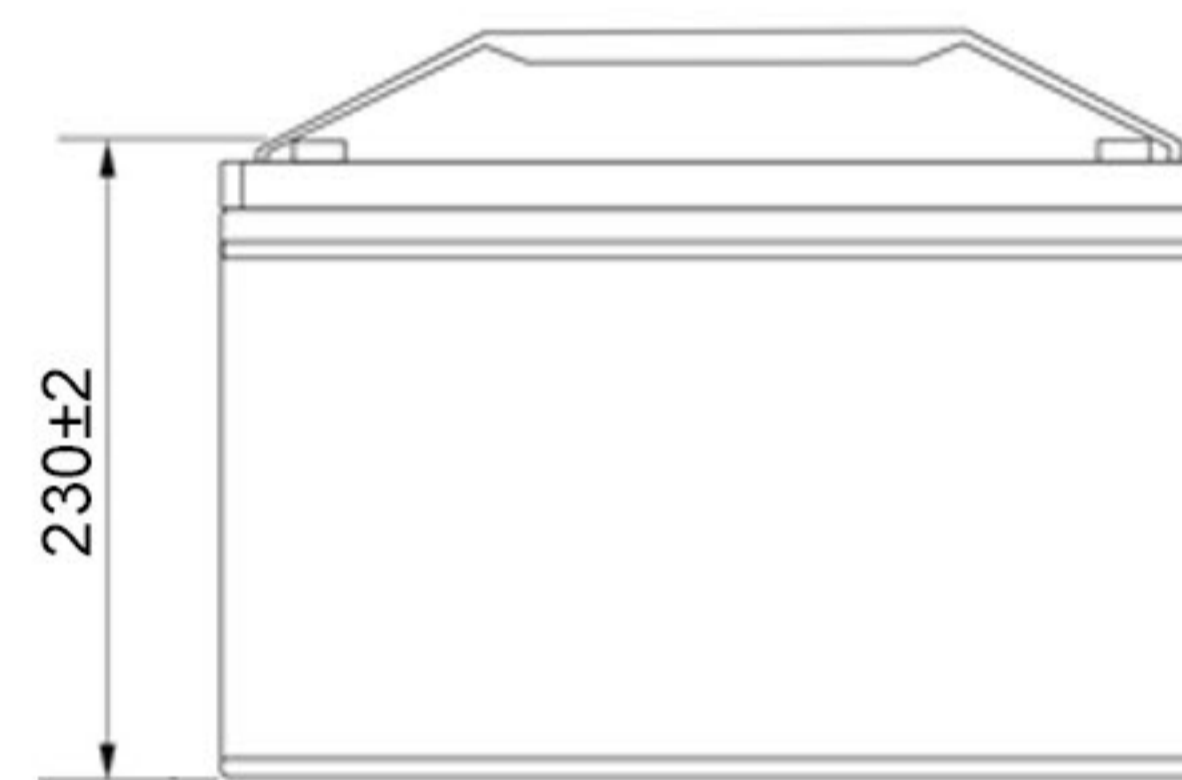
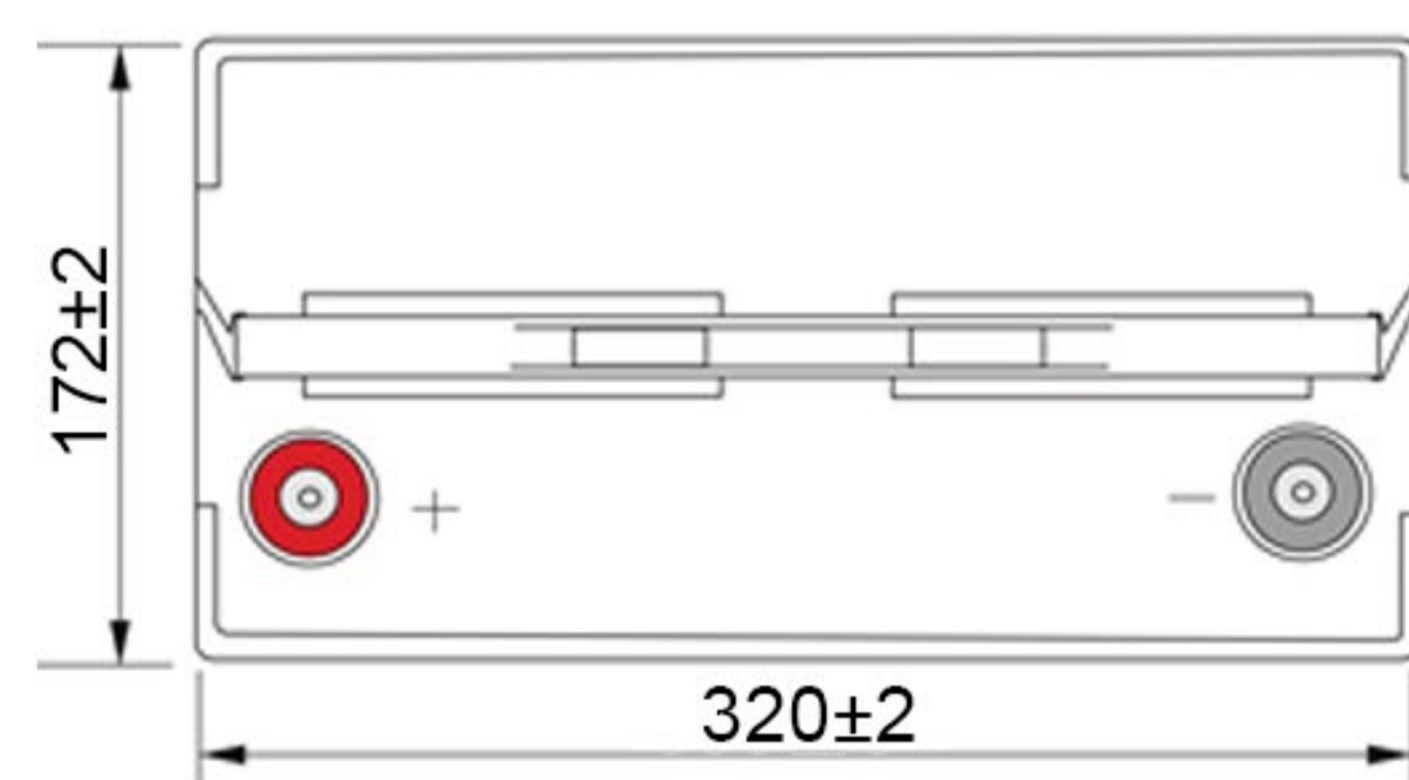
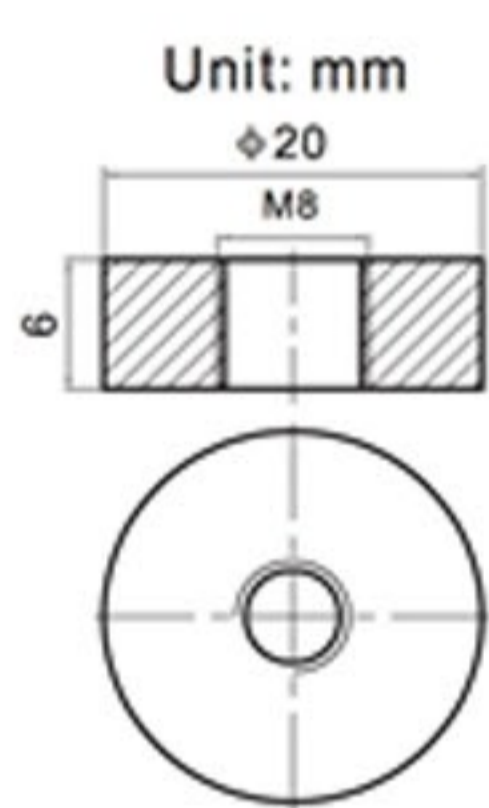
### Specification

Weight	Approx. 11.5Kg
Dimensions	320(L)*172(W)*230(H) mm
Nominal voltage	12.8V
Nominal capacity	100Ah
Nominal energy	1.28Kwh
Service life	≥6000 cycles, more than 80% at 0.5C charge and 0.5C discharge at 80% DOD 25°C.
Self-discharge	<1%/M
Charging	100A Max
Discharging	100A Max
Charging voltage	14.4±0.2V
Charging mode	Step 1: 0.5CC charge to 14.4V; Step 2: CV (constant voltage 14.4V) charge till charge current decline to 0.05C.
Peak discharge current	100A
DOD discharge rate	100%

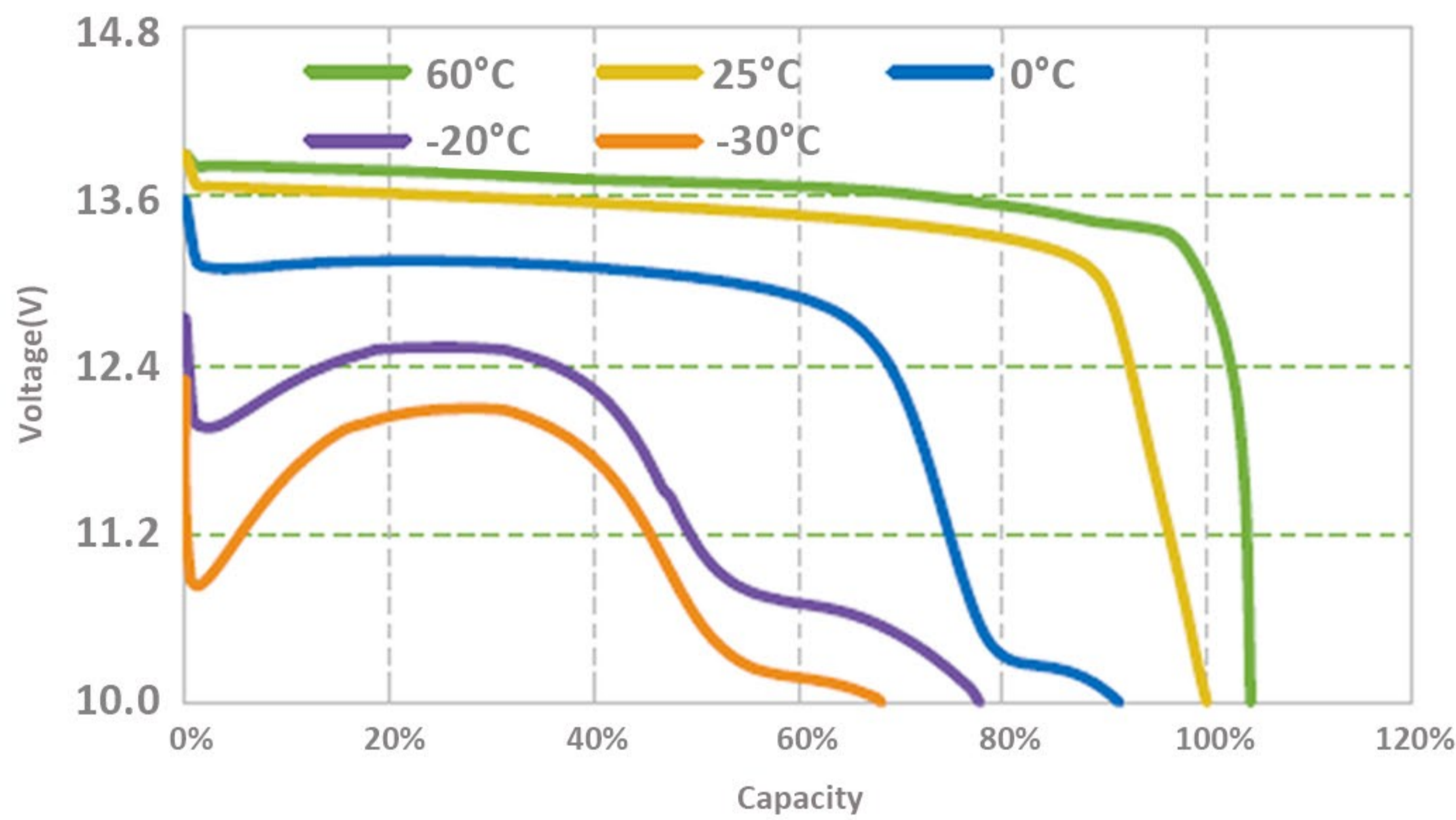
## Specification

Charging operating temperature	0~45°C
Discharge operating temperature	-20~55°C
Storage temperature and humidity range	1 month: -20~45°C; 3 months: -10~45°C; 6 months: 0~25°C; Humidity:45%~90% RH The battery should cycle once in three months. Recommended storage temperature is 25±5°C of SOC 50%~60%.
Degree of protection	IP54 or above
Installation	Battery compartments
Constant current discharge	100A
Constant power discharge	1000W
Constant power discharge (Cell)	320W
Pack initial internal impedance	≤100mΩ (50% SOC, Measure the AC impedance at 1kHz)

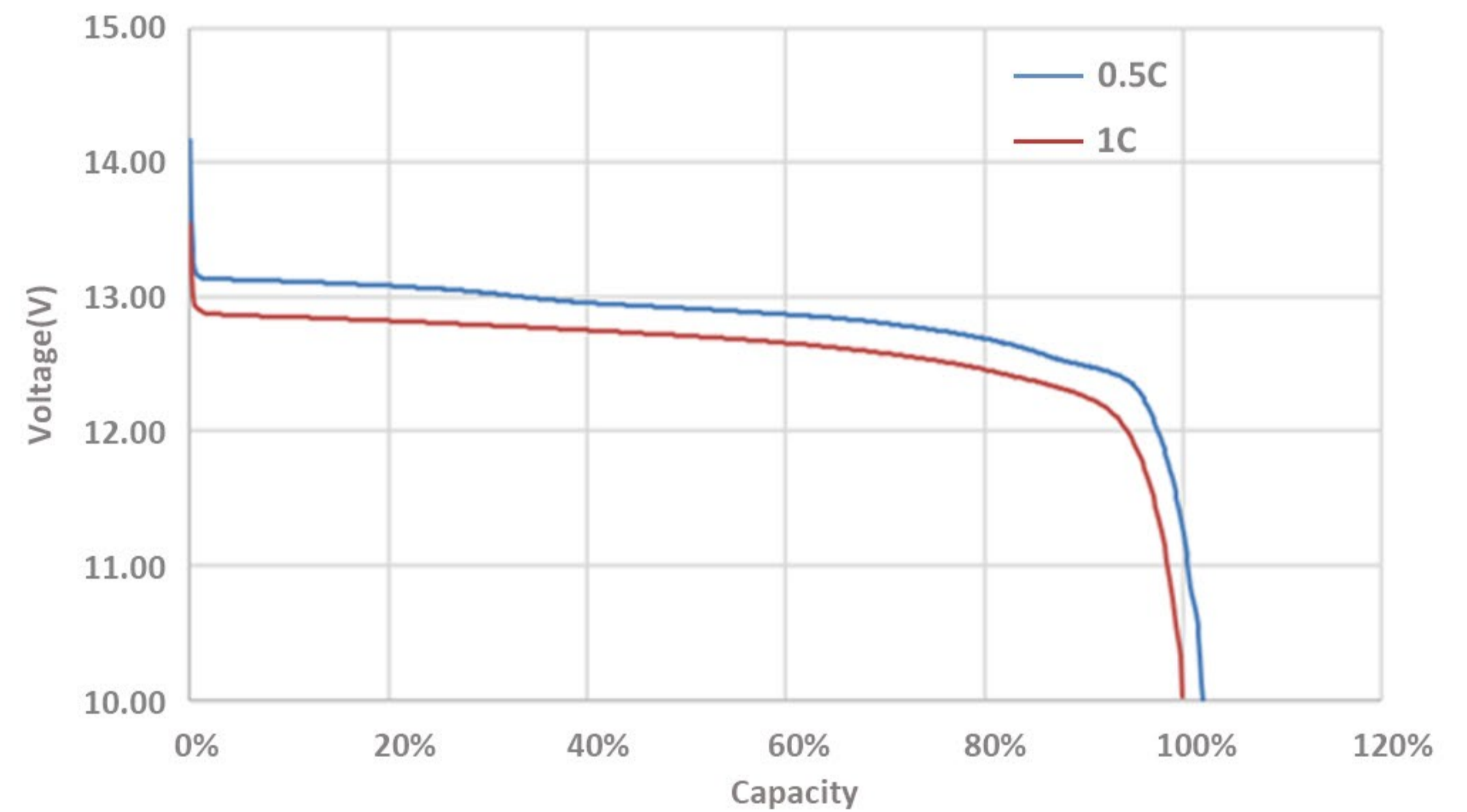
## Dimension



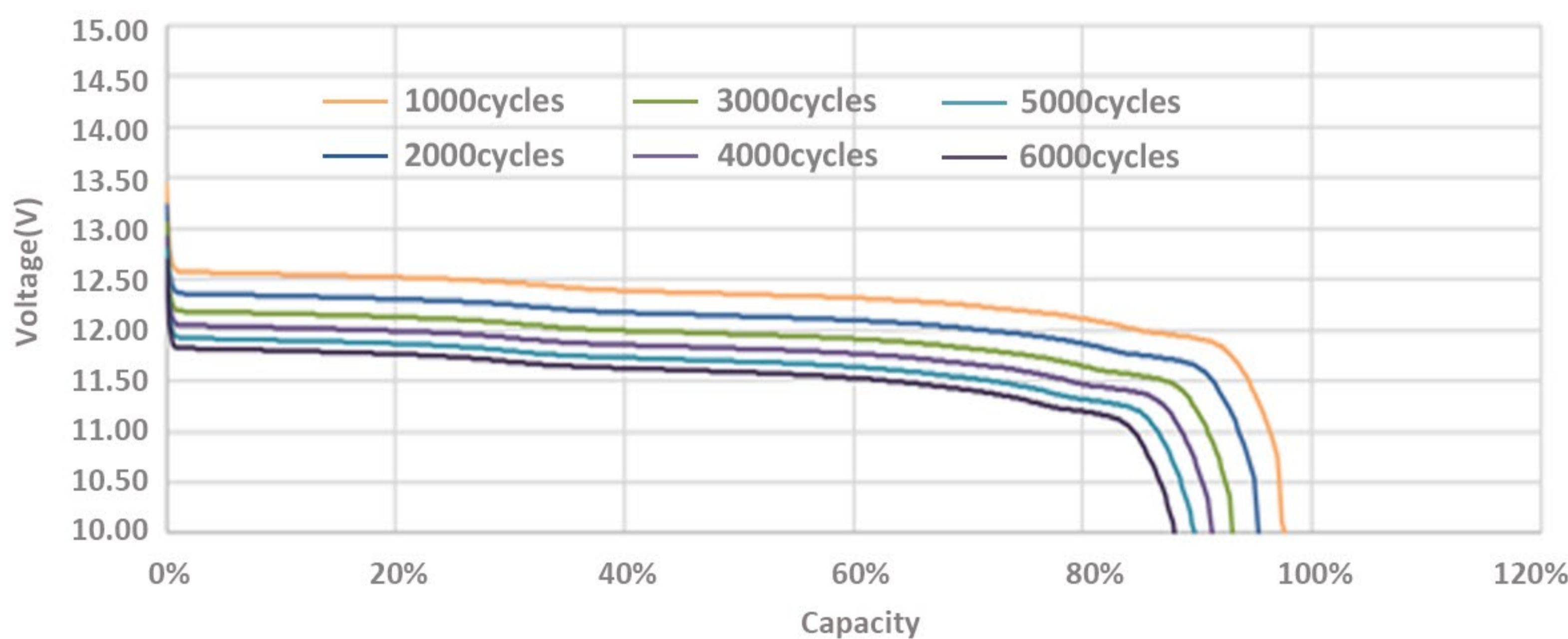
### 0.5C discharge curve at different temperatures (0.5C standard charge)



### Discharge curve at different rates (0.5C standard charge)



### 80% DOD discharge curve after different cycles (0.5C standard charge)



### 0.5C charge and discharge cycle curve

